



# Actros Pure

6x4 Rigid  
M-Cab ClassicSpace  
2630

Mercedes-Benz  
Trucks you can trust



# 6x4 Actros Pure Rigid

## M-Cab ClassicSpace

The Actros Pure range is ready for the job and ready to hit the road. Available in 2 different model types, Actros Pure Rigid trucks come with a range of features to assist with making work convenient, enjoyable and efficient – including low-entry access, wireless mobile phone charging, and impressive safety features such as the new Active Brake Assist 5. The trucks are available for immediate delivery, so take advantage of our flexible financing options and 3 years/300,000kms<sup>1</sup> complimentary scheduled servicing<sup>2</sup> today.

### Models at a glance

Model	Engine and transmission	Cab	Weight front	Weight rear
Actros Pure 2630	OM 936, 299hp + G211 - 12	M-Cab ClassicSpace 2.3 with 320mm tunnel	4,422kg	3,582kg

Weights include full AdBlue, 75kg driver, no fuel.



M-Cab ClassicSpace 2.30m with a 320mm engine tunnel.

## Model Specifications

### Engine

Engine Model	OM 936
Capacity	7.7l
Power	220kW (299hp)
Torque	1200Nm (885ft.lb)

## Cab

Multimedia cockpit

Truck navigation

Digital radio

Driver's suspension seat, standard

Fold-up co-driver's seat

Air conditioning system

Windscreen, tinted, with filter band

Cab rear wall with window

Compressed-air gun with hose

Toolkit, extended

## Driveline

G211 - 12 speed PowerShift Transmission with single plate clutch and 3,308 RAR engine RPM 1,710 @ 100km/h

## Front axle and suspension

7.5t offset front axle with 7.5t two leaf springs

## Rear axle and suspension

Two x 10.0t hypoid rear axle with differential locks, four bag rear air suspension

## Brakes

Disc brake, with Electronic Braking System (EBS)

Anti-lock Braking System (ABS)

Traction Control System (ASR)

High performance engine brake

Trailer brake, 2-line, brake connections, left

Electronic Stability Program (ESP)

Independent trailer brake, electronic

Electronic park brake with HOLD function

## Wheelbase and frame

5500mm wheelbase with 2850mm rear overhang

## Electrical

Frame mounted battery carrier left hand side

Chassis mounted battery carrier left hand side

100A alternator with two 220Ah AGM batteries

2nd generation PSM (Body Interface Module)

Mercedes-Benz Telematics hardware and MB Uptime Assist

Mercedes-Benz Telematics 12 month complimentary access

Fleet Management System (FMS)

Bi-xenon headlamps

LED daytime running light + LED tail light

Air horn, below cab

Additional socket, 12V/15A, co-driver footwell

Pre-installation and display for up to four cameras

## Safety

Front facing and curb mirrors

Automatic park brake engage with door open and 0km/h

Automatic park brake engage with engine switch off

Driver airbag

Seat belt monitor

Rain sensor

Light sensor

Active Brake Assist 5

## Fuel, AdBlue and exhaust

390l aluminium fuel tank left hand side

60l Adblue tank left hand side

Exhaust system, tailpipe to right and outwards

## Wheels and tyres

8.25" x 22.5" steel rims with 295/80R 22.5 tyres

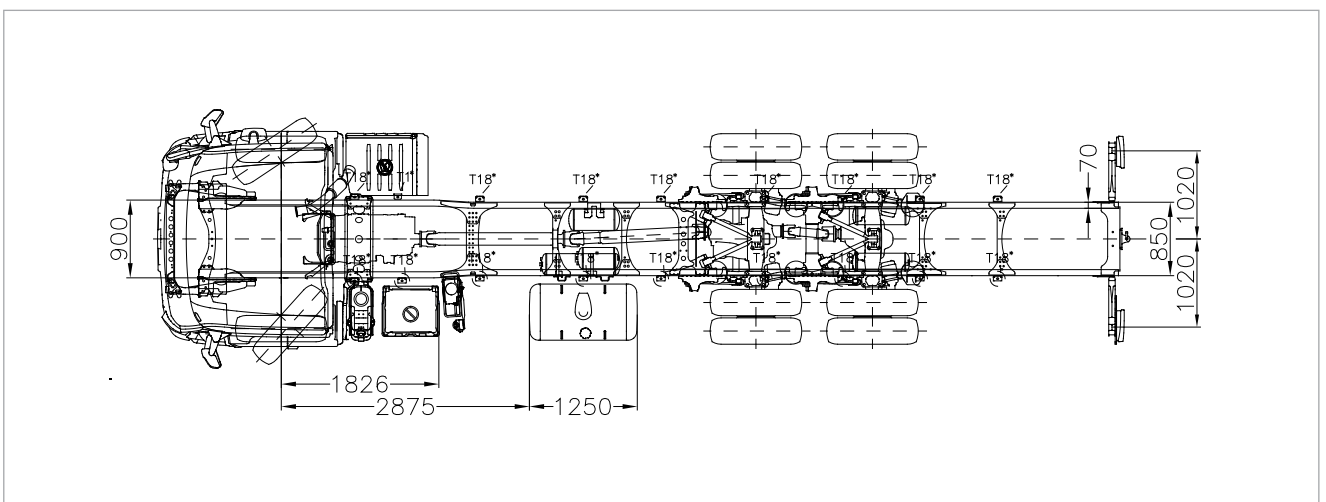
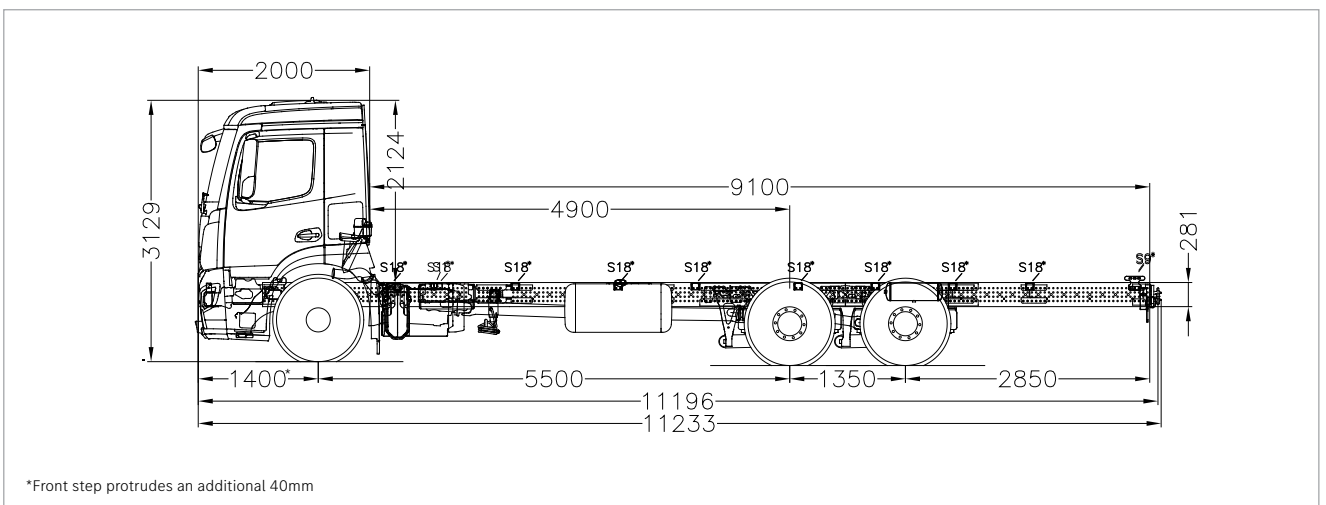
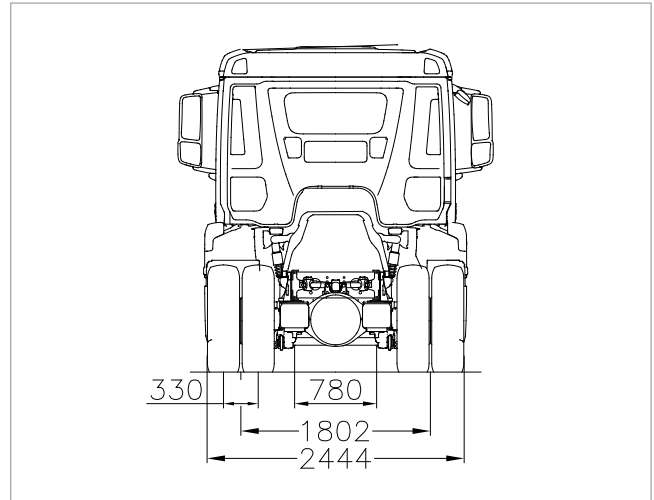
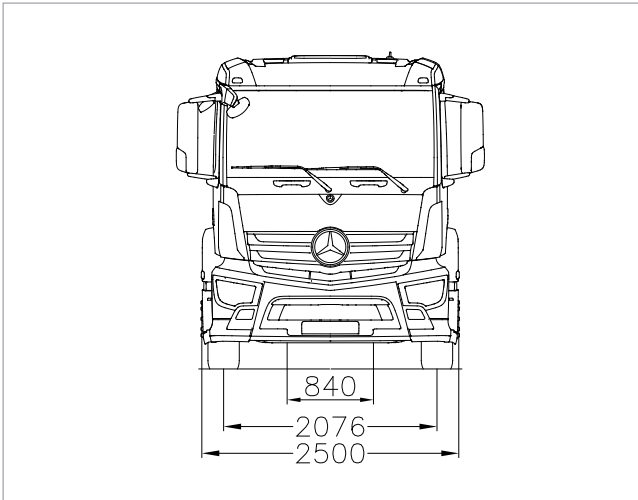
## Maximum weights

26,000kg GVM, 36,000kg GCM

## Warranty

2 year bumper to bumper with 4 year/800,000km driveline warranty

Chassis drawing and dimensions



This product specification sheet refers to model year 2021 Actros Pure vehicles.

<sup>1</sup>Whichever occurs first.

<sup>2</sup>Terms and conditions apply. Complimentary BestBasic 3 years/300,000kms (whichever occurs first from the date the vehicle is first registered) Service Plan available on eligible Mercedes-Benz Actros vehicles (On Highway Rigid, up to 45 tonnes GCM). Vocational high engine hour applications are capped at 3 years/6,000 hours (whichever occurs first from the date the vehicle is first registered). Valid for new vehicles purchased and delivered before 31 December 2021, unless extended. Covers all scheduled service work relevant to the vehicle as specified in the Mercedes-Benz Flexible Telligent System or the Mercedes-Benz Maintenance Manual, and can only be carried out in an authorised Mercedes-Benz dealership. Please contact your authorised Mercedes-Benz dealership for a copy of the full terms and conditions including inclusions and exclusions of items covered under the BestBasic Service Plan.

Please note: changes may have been made to the product since this publication went to press (July 2021). The manufacturer reserves the right to make changes to the design, form, colour, specifications to the vehicles or optional equipment without notice, including during the delivery period. The illustrations and texts may include accessories and items of special equipment which are not part of standard specification. Colours may differ slightly from those shown in the brochure, owing to the limitations of the printing process. The images shown are to be considered examples only and do not necessarily reflect the actual state of the original vehicles. The appearance of the original vehicles may differ from these illustrations. Subject to change. This publication may also contain models and services which are not available in certain countries. This brochure is distributed internationally. It provides a general indication of the range of models, features, special equipment and/or colours available in various countries. Some of the models, features, special equipment and/or colours may not be available in your country, or may only be available in a different specification. Additionally, some models, features, special equipment and/or colours may only be available in combination with others. For current and more specific information on the availability, design features and prices of all models, features, optional extras and/or colours available in Australia or New Zealand, you should contact your authorised Mercedes-Benz Truck Dealer on 1800 033 557 or go to [https://www.mercedes-benz-trucks.com/en\\_AU](https://www.mercedes-benz-trucks.com/en_AU) (Australia), or [https://www.mercedes-benz-trucks.com/en\\_NZ](https://www.mercedes-benz-trucks.com/en_NZ) (New Zealand).